

PRO III™ TOL-LED



Omnidirectional Taxiway Edge Light



TOL4

Compliances: FAA AC 150/5345-46: L-852T
ICAO Annex 14
UFC 3-535-01
IEC 97/98A/DTS
FAA Engineering Brief 67

Applications

The TOL is an inset taxiway edge fixture. The TOL is intended for use on a 6.6A constant current circuit through an L-830 isolation transformer.

Features



- ETL Certified (852T4 @ 6.6A only)
- Low profile, <.25" (6 mm) – FAA Style 3
- Low power consumption, less than 8VA at highest step
- High-strength aluminum optical assembly
- Easy to maintain – no sealant required for prism or feed-through assembly replacement
- Pressure test plug for seal integrity verification
- Long life LED
- Direct Replacement on existing circuit
- Complies with intensity curve requirements for a 3 step circuit (6.6A input fixture only)
- It is recommended that caution be used during snowplow operations. Use of a rubber tipped blade is recommended. Fixture is not warranted against snowplow damage.

Ordering Information

8 5 2 T 4 - 2 - [] [] [] - []

Fixture Type:

Color:

T = Taxiway Edge – LED (Omnidirectional Blue)

Fixture Diameter:

008 = 8" Fixture with mounting bolt pattern per IEC specifications
12A = 12" Fixture with 11.25" mounting BC, L868 base can
12B = 12" Fixture with 10.25" mounting BC, L867 base can

Options:

1 = Arctic Kit (not available with Options 2-4)

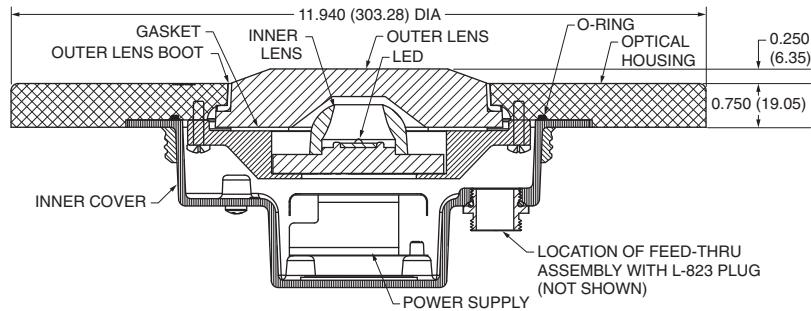
2 = 12 VDC Input* 3 = 24 VDC Input* 4 = 90-250 VAC, 50/60 Hz, Input*

NOTE: 6.6A @ 60 Hz Only

* Mode 2 fixtures not defined by FAA Advisory Circular

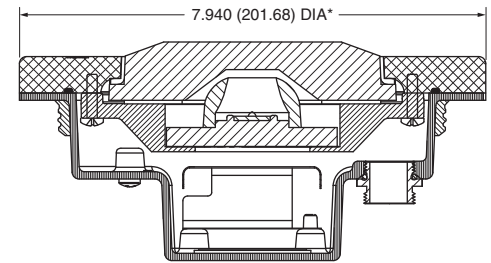
Outline Drawings

12" Fixture



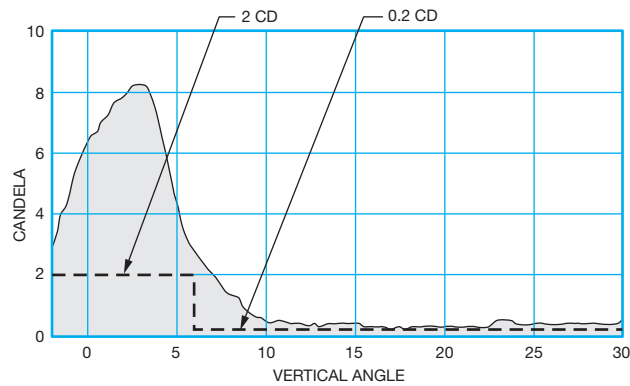
Dimensions:	inches (mm)
Instruction Manual:	2529
Shipping Weight:	10.5 lbs (4.8 kg)
Shipping Volume:	0.7 cu ft (0.02 m3)

8" Fixture



* All other dimensions and callouts equivalent to 12" Fixture.

Typical Photometric Data



L-852T4 Taxiway Edge Light – LED

Current driven - Lumen intensity steps powered by series circuit (6.6a/20a with proper isolation transformer).

Non-Arctic Kit - Max fixture load 18W, 23.3Va, PF.77, isolation transformer required 20/25 W.

Arctic Kit - Max fixture load 39.7W, 42.4Va, PF.93, isolation transformer required 30/45 W.

Accessories

Catalog Number	Item Description	Catalog Number	Item Description
AC24242H200303	Base: L868B, Class 1, 24" Deep	823KP-D4-D4	Connector Kit – L823, 8 AWG
AC21242H200301	Base: L867B, Class 1, 24" Deep	10047-2154	Heat Shrink Kit – 1 Piece
33001	Isolation Transformer – 30/45W, 6.6/6.6 A	10047-1425	Heat Shrink Kit – 2 Piece
21431	8" Diameter Shallow Base – Aluminum	21238	12" Diameter Shallow Base – Aluminum

Renewal Parts

Part Number	Description	Part Number	Description
21122	Feed Through Assy.	21306	Bottom Cover Assembly
21326*	Thermoswitch Replacement Kit	10035-62	3/32" O-Ring, 6.25" I.D.
21254	Outer Lens	10048-25	Gasket Lubricant – 5.3 oz. Container
21256	Outer Lens Boot	21486	LED Replacement Assembly
		21365-9T	Power Supply, No Arctic Kit
		21365-10T	Power Supply, With Arctic Kit
		21326	Arctic Kit

* Includes 10047-2943 Thermoswitch, 21320 Locking Bracket and 10033-81 Pop Rivet.

