

INSTALLATION INSTRUCTIONS & PARTS LIST  
 L-861T, L-861 MEDIUM INTENSITY ELEVATED EDGELIGHT  
 ERL MODEL 5, 6.6 AMP AND 120 VOLT VERSIONS  
 40939

**WARNING:** DE-ENERGIZE CIRCUIT BEFORE RELAMPING OR WORKING ON FIXTURE.

INSTALLATION:

- (A) Assemble the 1" EMT extension column (11) over the lead assy (17) for the 6.6 amp version or the wire assy (9 & 10) for the 120 volt version. Insert the column into the lower hub of the globe support (1). With the fixture positioned so that the extension column (11) is pointing up and fully bottomed in the four leveling ribs, tighten the three preset leveling screws (6) half a turn each until the extension column (11) is firmly secured to the globe support (1) and perpendicular to the globe mounting surface.
- (B) Assemble the frangible coupling, either (13) or (18), over the wire or lead assy and onto the extension column (11). DO NOT TIGHTEN the coupling binding screw (14).
- (C) For the 120 volt version, connect wires (9 & 10) to the appropriate source. (NOTE: White wire (9) is connected to the lamp socket shell (8)) For the 6.6 amp version, connect the lead assy (17) to the appropriate isolation transformer.
- (D) After wiring is complete, thread the frangible coupling only (13 or 18) into a base plate (Crouse-Hinds P/N 50044) or stake mount (Crouse-Hinds P/N 50056) in order to prevent twisting of wires. Recommendation: Apply antiseize compound (Loctite Antiseize Thread Compound 767 or equal) to coupling threads prior to assembly to baseplate to prevent galling and seizing.
- (E) For dual color fixtures, position the fixture for proper color orientation. Level and align (as necessary) the globe support using P/N 40999 Leveling Fixture. Adjust and tighten appropriate screws to maintain levelness.

LAMP & GLOBE REPLACEMENT:

- (A) To replace the lamp (7), remove the clamp band (5) and globe (4). Inspect o-ring (2) and other internal components. Replace if necessary. Install new lamp. Re-assemble globe (4) and clamp band (5).
- (B) If bulb wall is handled during installation, clean bulb with alcohol and dry with clean, soft cloth prior to operating. Contamination of the bulb may result in reduced lamp performance.

(OVER FOR P/L)

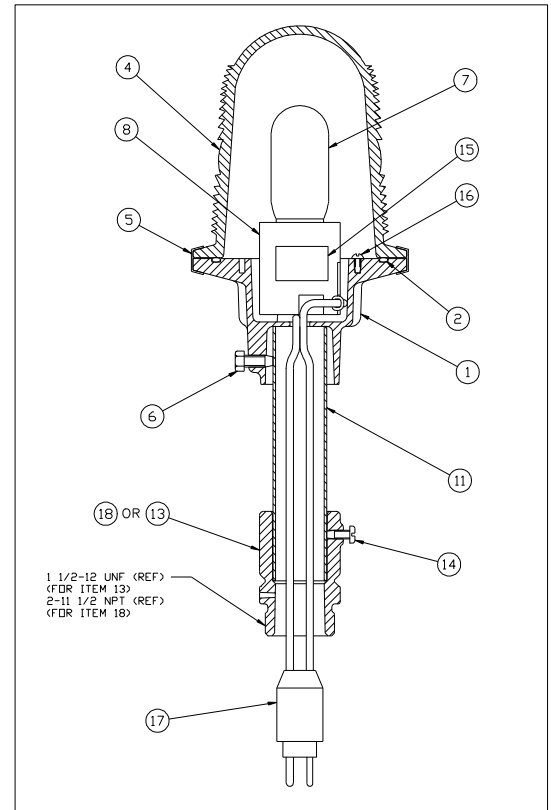


FIGURE 1 - P/N 40939, 6.6 AMP

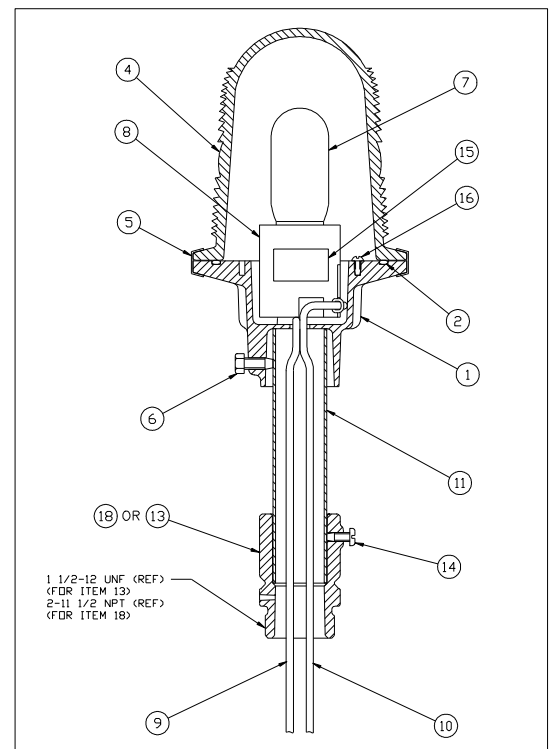


FIGURE 2 - P/N 40939, 120 VOLT

PARTS LIST  
 PART NUMBER 40939 MEDIUM INTENSITY ELEVATED EDGELIGHT

ITEM NO.	PART NO.	QTY	DESCRIPTION
1	40948	1	SUPPORT, GLOBE
2	10035-37	1	SEAL
3	NOT USED		
4	(ML5411)50122-C	1	AVIATION GLOBE, CLEAR
	(ML5412)50122-CY	1	AVIATION GLOBE, CLEAR/YELLOW
	(ML2075)50122-R	1	AVIATION GLOBE, RED
	(ML331)50122-B	1	AVIATION GLOBE, BLUE
	(ML5413)50122-RY	1	AVIATION GLOBE, RED/YELLOW
	(FL6477)50122-Y	1	AVIATION GLOBE, YELLOW
	50122-XG	1	AVIATION GLOBE, BLANK/GREEN
	(ML5413)50122-RG	1	AVIATION GLOBE, RED/GREEN
	(ML5571)50122-CR	1	AVIATION GLOBE, CLEAR/RED
	(ML5570)50122-CG	1	AVIATION GLOBE, CLEAR/GREEN
	(ML2572)50122-G	1	AVIATION GLOBE, GREEN
5	50107	1	CLAMP BAND
6	10H29-025D20	3	SCREW, HEX HD., 1/4-20 x 5/8 SELF-TAP TYPE "F" SST
7	10047-1493	1	LAMP 30 WATT, 6.6 AMP
	10047-1497	1	LAMP 45 WATT, 6.6 AMP
	10047-608	1	LAMP 40 WATT, 120 VOLT
8	KL6168	1	MEDIUM PREFOCUS RECEPTACLE
9	50030W	1	WIRE ASSY, #16 AWG, WHITE (STD. 14" FIXTURE HEIGHT)
	50030W-1	1	WIRE ASSY, #16 AWG, WHITE (ALL OTHER FIXTURE HGT.)
10	50030	1	WIRE ASSY, #16 AWG, BLACK (STD. 14" FIXTURE HEIGHT)
	50030-1	1	WIRE ASSY, #16 AWG, BLACK (ALL OTHER FIXTURE HEIGHT)
11	40878-2P	1	EXTENSION 1" EMT (STANDARD 14" FIXTURE HEIGHT)
	40878-3P	1	EXTENSION 1" EMT 16" FIXTURE HEIGHT
	40878-4P	1	EXTENSION 1" EMT 18" FIXTURE HEIGHT
	40878-5P	1	EXTENSION 1" EMT 20" FIXTURE HEIGHT
	40878-6P	1	EXTENSION 1" EMT 22" FIXTURE HEIGHT
	40878-7P	1	EXTENSION 1" EMT 24" FIXTURE HEIGHT
	40878-8P	1	EXTENSION 1" EMT 26" FIXTURE HEIGHT
	40878-9P	1	EXTENSION 1" EMT 28" FIXTURE HEIGHT
	40878-10P	1	EXTENSION 1" EMT 30" FIXTURE HEIGHT
12	NOT USED		
13	50186	1	BREAKABLE COUPLING STANDARD
14	10000-442M	1	SCREW, #M6 x 12mm (INCLUDED WITH ITEMS 13 & 18)
15	50020-2	A/R	LAMP TAG (30 W, 6.6 A)
	50020-3	A/R	LAMP TAG (45 W, 6.6 A)
	50020-4	A/R	LAMP TAG (40 W, 120 V)
16	10H27-013D10	1	SCREW, RD. HD., #6-32 x 5/16 SELF-TAP TYPE "F" SST
17	FL3621	1	LEAD ASSY (STD. 14" FIXTURE HEIGHT)
	FL1124A	1	LEAD ASSY (16, 18, & 20 INCH FIXTURE HGT.)
	FL1012A	1	LEAD ASSY (22 THRU 30 INCH FIXTURE HGT.)
18	50184	1	BREAKABLE COUPLING (-MC2 OPTION)

PART NUMBER ORDERING DATA

40939 - X - XX - XX - XX

PART NUMBER \_\_\_\_\_

BEAM COLOR \_\_\_\_\_

C = CLEAR    R = RED  
 B = BLUE    Y = YELLOW  
 G = GREEN    X = OPAQUE/BLANK

LAMP WATTAGE \_\_\_\_\_

00 = LAMP NOT INCLUDED  
 30 = 30 WATT, 6.6 AMP  
 45 = 45 WATT, 6.6 AMP  
 40 = 40 WATT, 120 VOLT

OPTIONS

X = WITHOUT GLOBE  
 MC2 = METALLIC BREAKABLE COUPLING (2" TH'D)  
 HEIGHT IN INCHES  
 14 = STANDARD  
 (AVAILABLE IN 2 INCH INCREMENTS TO 30 INCHES)