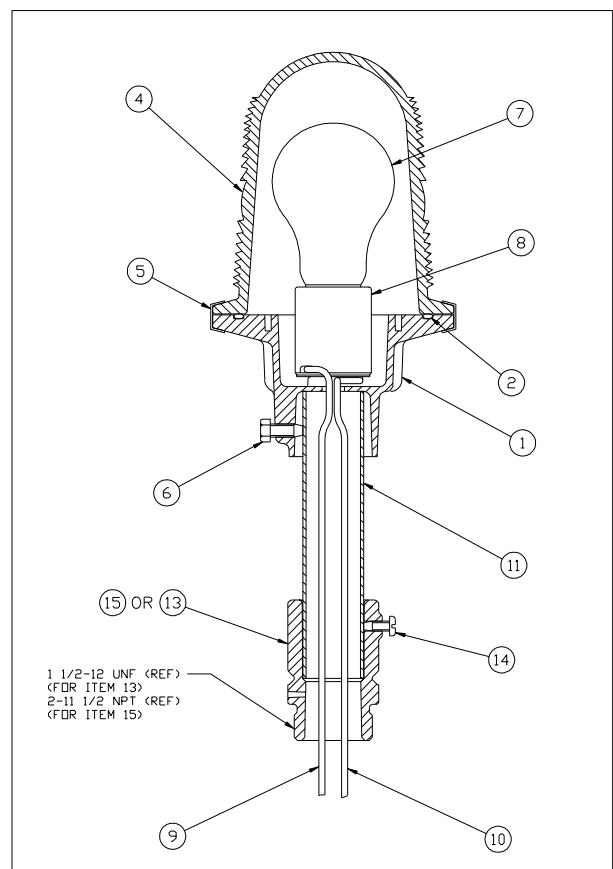


INSTALLATION INSTRUCTIONS & PARTS LIST
 MARKER LIGHT - 120 VOLT, P/N 40943

WARNING: DE-ENERGIZE CIRCUIT BEFORE RELAMPING OR WORKING ON FIXTURE

INSTALLATION:

- (A) Assemble the 1" EMT extension column (11) over the wire assy (9 & 10) and insert the column into the lower hub of the globe support (1). With the fixture positioned so that the extension column (11) is pointing up and fully bottomed in the four leveling ribs, tighten the three preset leveling screws (6) half a turn each until the extension column (11) is firmly secured to the globe support (1) and perpendicular to the globe mounting surface.
- (B) Assemble the frangible coupling, either (12), (13), or (15) over the wire assy (9 & 10) and onto the extension column (11). DO NOT TIGHTEN the coupling binding screw (14).
- (C) Connect wires (9 & 10) to the appropriate source. (NOTE: White wire (9) is connected to the lamp socket shell (8))
- (D) After wiring is complete, thread the frangible coupling only (12, 13, or 15) into a base plate (Crouse-Hinds P/N 50044) or stake mount (Crouse-Hinds P/N 50056) in order to prevent twisting of wires. Recommendation: apply antiseize compound (Loctite Antiseize Thread Compound 767 or equal) to coupling threads prior to assembly to baseplate to prevent galling and seizing.
- (E) For dual color fixtures, position the fixture for proper color orientation. Level and align (as necessary) the globe support using P/N 40999 Leveling Fixture. Adjust and tighten appropriate screws to maintain levelness.



LAMP & GLOBE REPLACEMENT:

- (A) To replace the lamp (7), remove the clamp band (5) and globe (4). Inspect o-ring (2) and other internal components. Replace if necessary. Install new lamp. Re-assemble globe (4) and clamp band (5).
 - (B) If bulb wall is handled during installation, clean bulb with alcohol and dry with clean, soft cloth prior to operating. Contamination of the bulb may result in reduced lamp performance.
- (OVER FOR P/L)

PARTS LIST
 PART NUMBER 40943 MARKER LIGHT

ITEM NO.	PART NO.	QTY	DESCRIPTION
1	40948	1	SUPPORT, GLOBE
2	10035-37	1	SEAL
3	NOT USED		
4	ML5411	1	AVIATION GLOBE, CLEAR
	50108-C (-PG)	1	AVIATION GLOBE, CLEAR (-PG OPTION)
	ML5412	1	AVIATION GLOBE, CLEAR/YELLOW
	ML2075	1	AVIATION GLOBE, RED
	ML331	1	AVIATION GLOBE, BLUE
	50108-B (-PG)	1	AVIATION GLOBE, BLUE (-PG OPTION)
	50022-RY	1	AVIATION GLOBE, RED/YELLOW
	FL6477	1	AVIATION GLOBE, YELLOW
	50011-GX	1	AVIATION GLOBE, GREEN/BLANK
	ML5413	1	AVIATION GLOBE, GREEN/RED
	ML5571	1	AVIATION GLOBE, CLEAR/RED
	ML5570	1	AVIATION GLOBE, CLEAR/GREEN
ML2572	1	AVIATION GLOBE, GREEN	
5	50107	1	CLAMP BAND
6	10H29-025D20	3	SCREW, HEX HD., 1/4-20 x 5/8 SELF-TAP TYPE "F" SST
7	10047-1636	1	LAMP 40 WATT, 120 VOLT
	10047-1558	1	LAMP 69 WATT, 120 VOLT
	10047-2145	1	LAMP 116 WATT, 240 VOLT
	10047-1577	1	LAMP 116 WATT, 120 VOLT
8	10047-1559	1	SOCKET, LAMP
9	50030W	1	WIRE ASSY, #16 AWG, WHITE (STD. 14" FIXTURE HEIGHT)
	50030W-1	1	WIRE ASSY, #16 AWG, WHITE (ALL OTHER FIXTURE HGT.)
10	50030	1	WIRE ASSY, #16 AWG, BLACK (STD. 14" FIXTURE HEIGHT)
	50030-1	1	WIRE ASSY, #16 AWG, BLACK (ALL OTHER FIXTURE HEIGHT)
11	40878-2P	1	EXTENSION 1" EMT (STANDARD 14" FIXTURE HEIGHT)
	40878-3P	1	EXTENSION 1" EMT 16" FIXTURE HEIGHT
	40878-4P	1	EXTENSION 1" EMT 18" FIXTURE HEIGHT
	40878-5P	1	EXTENSION 1" EMT 20" FIXTURE HEIGHT
	40878-6P	1	EXTENSION 1" EMT 22" FIXTURE HEIGHT
	40878-7P	1	EXTENSION 1" EMT 24" FIXTURE HEIGHT
	40878-8P	1	EXTENSION 1" EMT 26" FIXTURE HEIGHT
	40878-9P	1	EXTENSION 1" EMT 28" FIXTURE HEIGHT
	40878-10P	1	EXTENSION 1" EMT 30" FIXTURE HEIGHT
12	NOT USED		
13	50186	1	BREAKABLE COUPLING (-MC OPTION)
14	10000-442M	1	SCREW, #M6 x 12mm (INCLUDED WITH ITEMS 13 & 15)
15	50184	1	BREAKABLE COUPLING (-MC2 OPTION)
16	11E12-002	2	STRAIN RELIEFS

PART NUMBER ORDERING DATA
 40943 - B - 69 - 14 - PG

PART NUMBER

BEAM COLOR

C = CLEAR R = RED
 B = BLUE Y = YELLOW
 G = GREEN X = OPAQUE/BLANK

LAMP WATTAGE

00 = LAMP NOT INCLUDED
 40 = 40 WATT, 120 VOLT
 69 = 69 WATT, 120 VOLT
 100 = 116 WATT, 240 VOLT
 116 = 116 WATT, 120 VOLT

OPTIONS

PG = PLASTIC GLOBE
 MC2 = METALLIC BREAKABLE COUPLING (2" TH'D)

HEIGHT IN INCHES

14 = STANDARD
 (AVAILABLE IN 2 INCH INCREMENTS TO 30 INCHES)